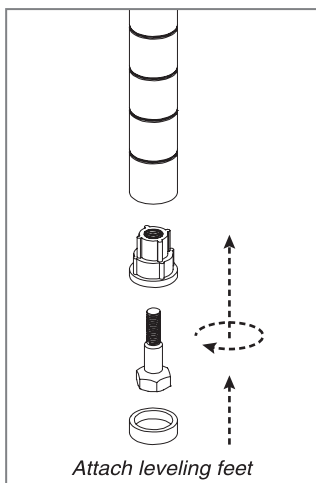
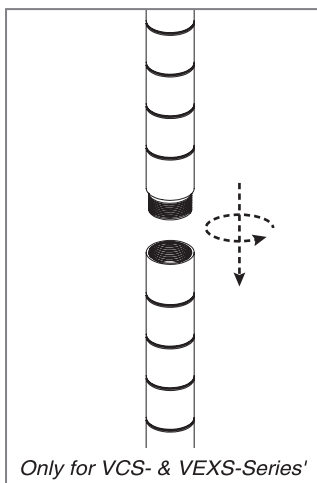


### 1 ASSEMBLE THE POSTS

- For VCS / VEXS-Series': twist together the post parts.
- All: attach the leveling feet parts to the bottom of the post.
- Repeat for remaining posts.

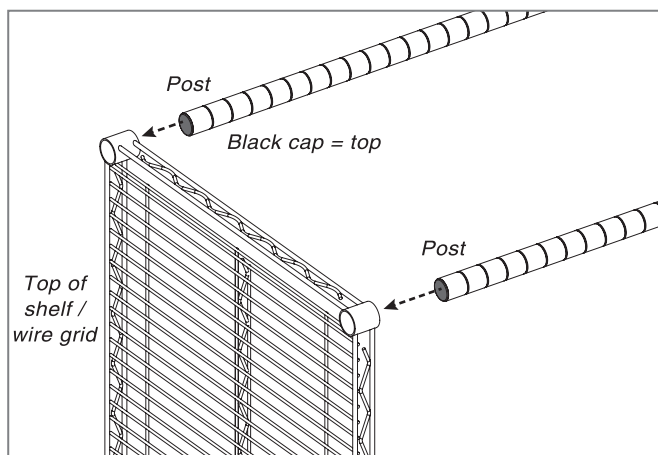
**NOTE:**  
Top of posts have  
black caps



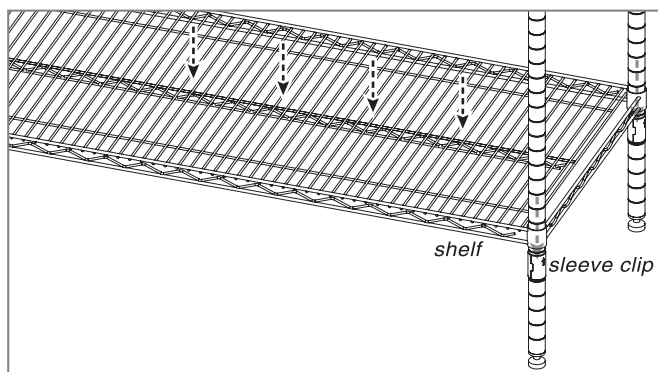
### 3 ATTACH BOTTOM SHELF

- Place shelf in vertical position with short side on the floor.
- Slide the post top through the corner holes on the shelf.

**NOTE:** The shelf wire grid and post tops should both be facing up



- Once all posts have been inserted into the four shelf corners, place the assembly upright.
- Press the shelf down firmly, onto and over the sleeve clips. Gently tap with a rubber mallet for snug, secure fit.



### 2 ATTACH SHELF SLEEVE CLIPS

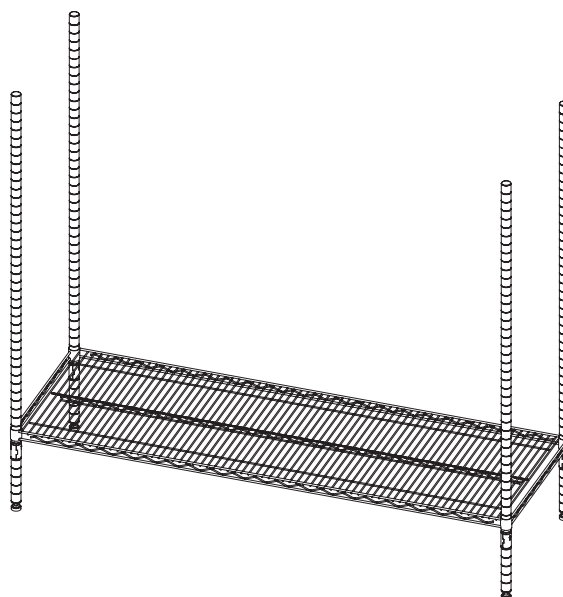
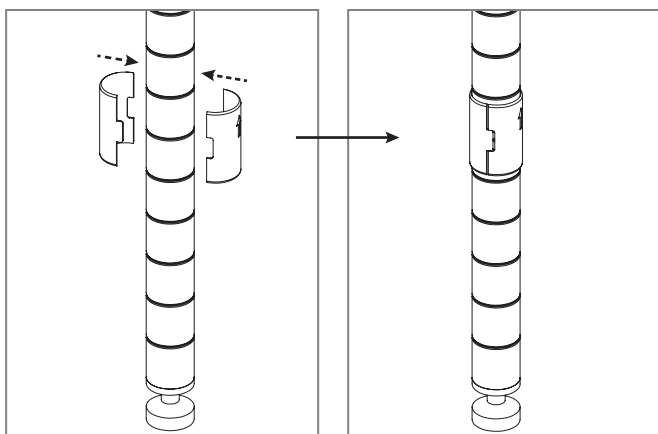
- Determine position of lowest shelf.

**NOTE:** NSF requires bottom shelf to be at a minimum of 6" clearance off floor

- Snap-on a shelf sleeve clip to the post and slide to "click" into groove at determined height.  
Arrow on clip should point UP toward top.

**NOTE:** A small gap between clip will not prohibit assembly

- Repeat for remaining posts.



### 4 ATTACH REMAINING SHELVES

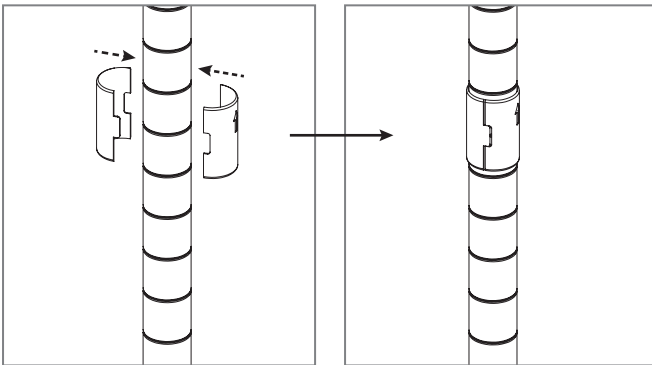
- Determine position of remaining shelves.

**NOTE:** DO NOT position shelves more than 19" apart

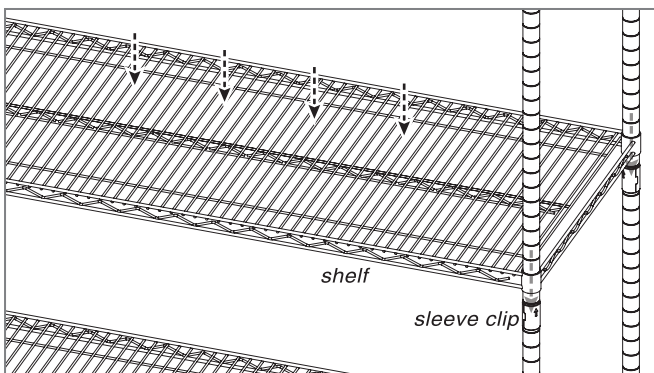
- Snap-on a shelf sleeve clip to each post and slide to "click" into groove at determined shelf height.

Arrow on clip should point UP toward top.

**NOTE:** A small gap between clip will not prohibit assembly

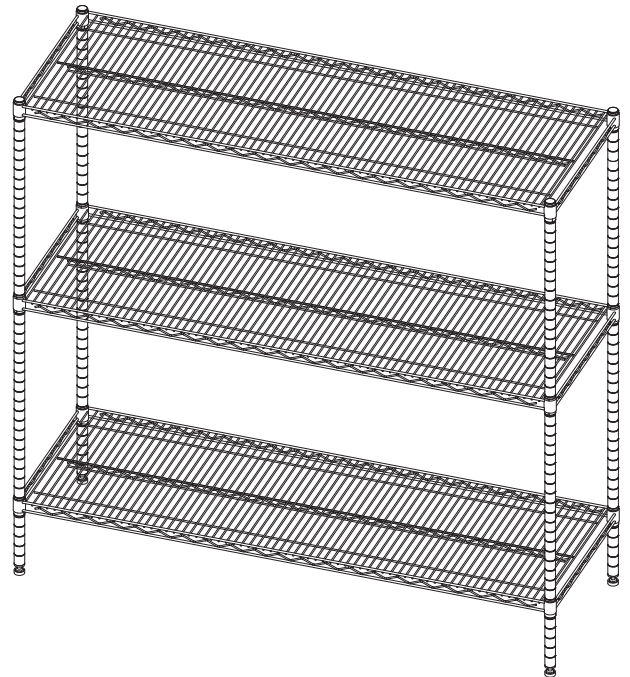


- Once all posts with sleeve clips have been inserted into the four shelf corners, place the assembly upright.
- Press the shelf down firmly, onto and over the sleeve clips. Gently tap with a rubber mallet for snug, secure fit.
- Repeat for remaining shelves.



### 5 ADJUSTING THE LEVELING FEET

- If the finished unit is not level / off balance, make level by adjusting the leveling feet. Turn the foot on each post left or right to even out and unit is level.



#### CAUTION

- DO NOT STAND ON OR CLIMB ON THE SYSTEM.
- DO NOT DROP HEAVY ITEMS ON THE SHELVES.
- PLACE HEAVIER ITEMS ON LOWER SHELVES AND LIGHTER ONES ON TOP.
- DO NOT MOVE SYSTEM WHILE LOADED.



#### NOTICE

- MAXIMUM WEIGHT CAPACITY FOR EACH SHELF:**
- UNDER 48" IS 850 LBS, EQUALLY DISTRIBUTED
- OVER 48" IS 600 LBS, EQUALLY DISTRIBUTED