

Electric Convection Oven



Model No.

SECO-2201



SECO-2201

Features:

- High-efficiency oven with high-efficiency heating tube, direct forced hot-air system, 220V, 60Hz, one phase.
- Electronic temperature controller.
- Double layer heat-resistant glass doors and windows with chamber light.
- 60 minutes continuous bell timer, also can be manually cut off.
- 1/2-1/10HP two-speed air cooling fan & motor.
- With electric heating indicator light and power stand-by indicator light.
- Stainless steel chamber with arc angles.
- 11 removable grid rail, space 1 5/8", 3 chrome net frames.
- The top & front part are made of stainless steel.
- Black coating steel feet are adjustable.
- Independent stainless steel door, double-layer heat-resistant glass window, with separate door handles.
- Stainless steel door seal.
- Double equipment, superposition device.
- Hinged control panel installed in the front, easy to disassemble & repair.
- The top, side, back of the oven & the internal are made by industrial durable insulation materials.

Warranty Info:

One Year

- Parts & Labor on entire unit.
- Valid in United States.
- Valid for commercial use only.

Revised 11/13/2023

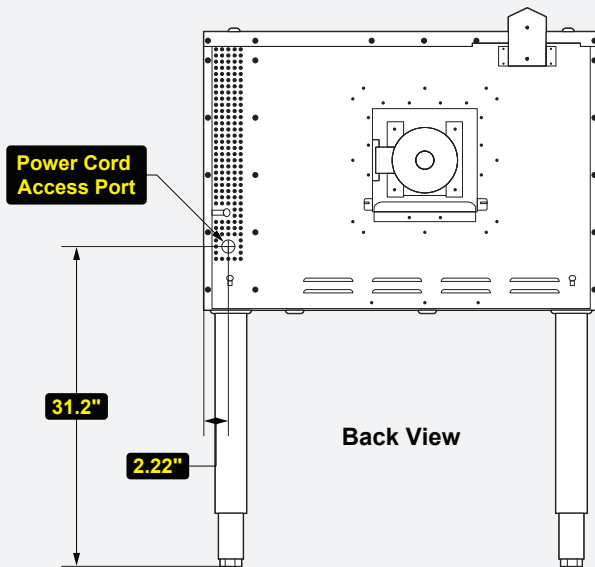
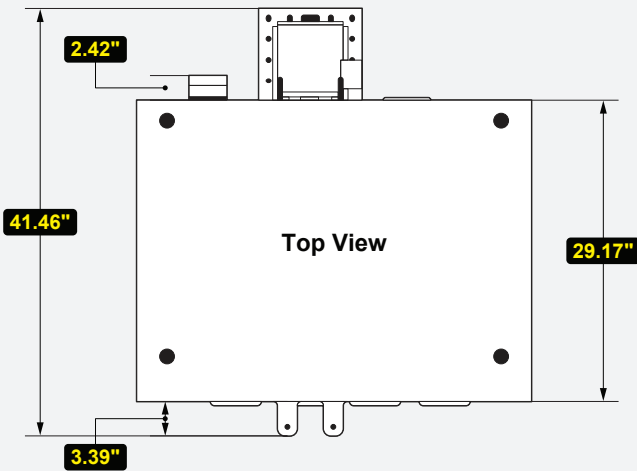
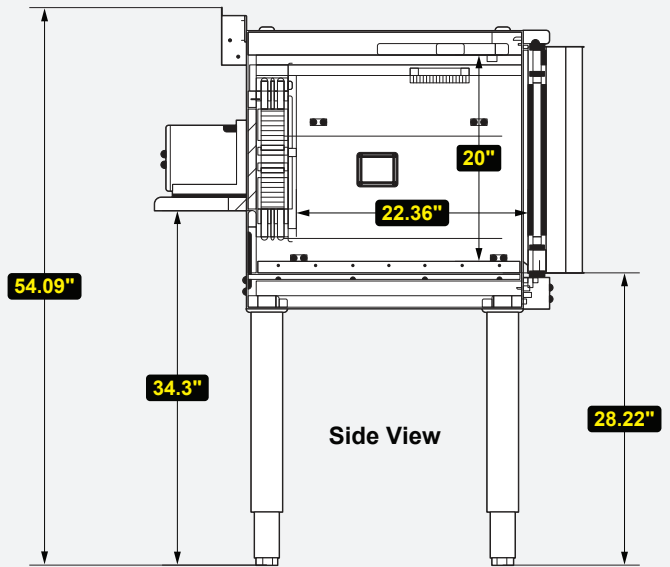
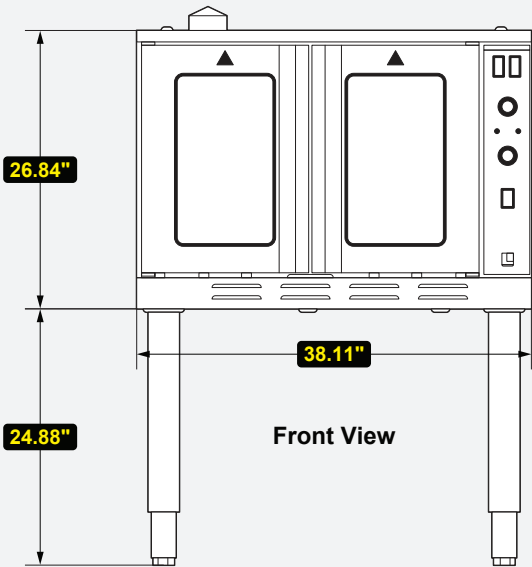
SECO-2201



www.servware.com

Phone:(800).768.5953

Fax:(800).976.1299



➤ **Technical Information:**

MODEL #	DESCRIPTION	DIMENSIONS	WEIGHT/LBS.
		(W x D x H)	(Shipping)
SECO-2201	Electric Convection Oven	38.11" W x 41.46" D x 54.09" H	396 lbs.

CONSTRUCTION	
Stainless steel	
chamber with arc	
angles, Stainless steel	
door with double-layer	
heat-resistant glass	

ELECTRICAL	
Voltage	220
Amps	53
Hz	60
Phase	1

COOKING	
Temperature Range	149°F – 550°F